



AD-630
(for Gas Models)
Parts Manual

American Dryer Corporation
88 Currant Road
Fall River, MA 02720-4781
Telephone: (508) 678-9010 / Fax: (508) 678-9447
E-mail: techsupport@amdry.com

Retain This Manual In A Safe Place For Future Reference

American Dryer Corporation products embody advanced concepts in engineering, design, and safety. If this product is properly maintained, it will provide many years of safe, efficient, and trouble-free operation.

ONLY properly licensed technicians should service this equipment.

OBSERVE ALL SAFETY PRECAUTIONS displayed on the equipment or specified in the installation/operator's manual included with the dryer.

WARNING: UNDER NO CIRCUMSTANCES should the door switch or the heat circuit devices ever be disabled.

WARNING: The dryer *must never* be operated with any of the back guards, outer tops, or service panels removed. PERSONAL INJURY or FIRE COULD RESULT.

We have tried to make this manual as complete as possible and hope you will find it useful. ADC reserves the right to make changes from time to time, without notice or obligation, in prices, specifications, colors, and material, and to change or discontinue models.

Important

For your convenience, log the following information:

DATE OF PURCHASE _____ MODEL NO. **AD-630** _____

DISTRIBUTORS NAME _____

Serial Number(s) _____

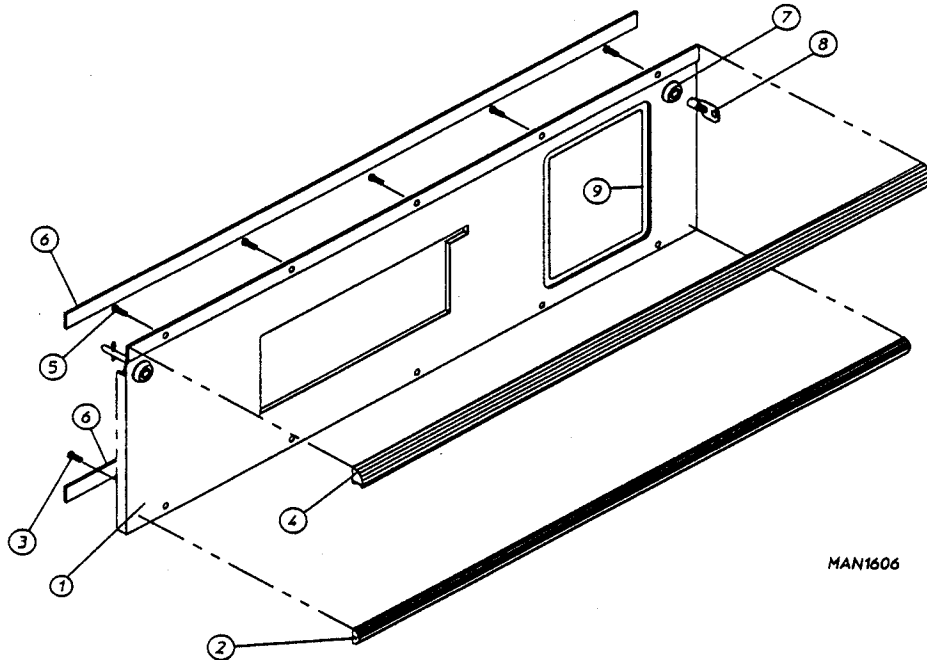
Replacement parts can be obtained from your distributor or the ADC factory. When ordering replacement parts from the factory, you can FAX your order to ADC at (508) 678-9447 or telephone your orders directly to the ADC Parts Department at (508) 678-9010. Please specify the dryer **model number** and **serial number** in addition to the **description** and **part number**, so that your order is processed accurately and promptly.

The illustrations on the following pages may not depict your particular dryer exactly. The illustrations are a composite of the various dryer models. Be sure to check the descriptions of the parts thoroughly before ordering.

INSTRUCTIONS TO BE FOLLOWED IN THE EVENT THE USER SMELLS GAS MUST BE POSTED IN A PROMINENT LOCATION. THE INSTRUCTIONS TO BE POSTED SHALL BE OBTAINED FROM THE LOCAL GAS SUPPLIER.

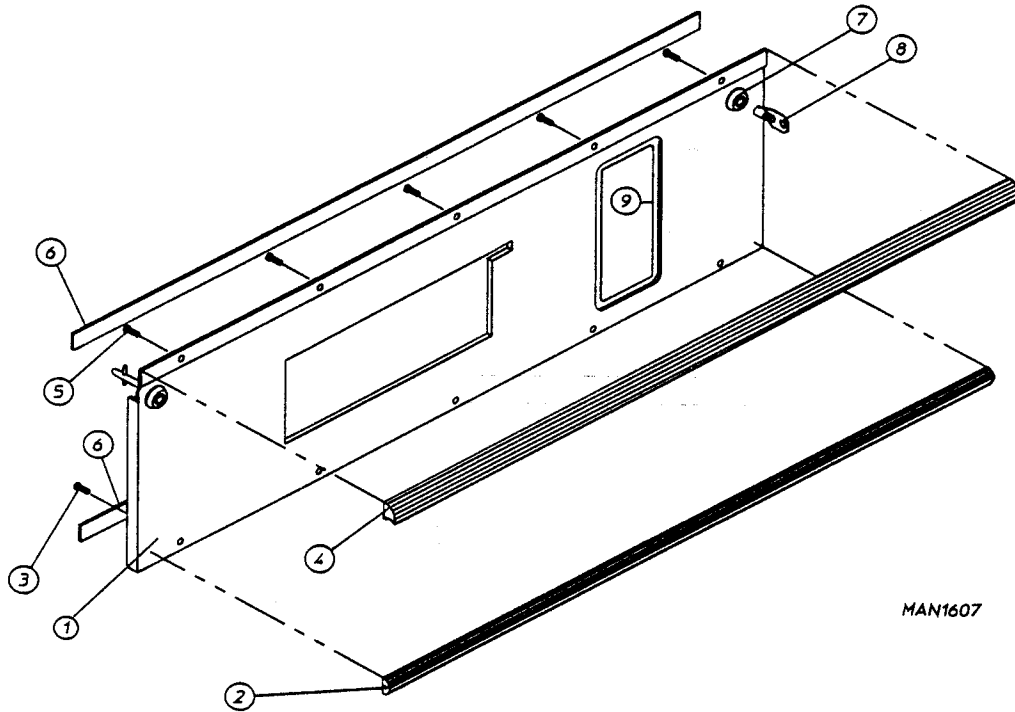
Table of Contents

AD-630 (3-leg) Coin Control Door Assembly	1
AD-630 (3-leg) OPL Door Assembly	2
AD-630 Lint Door Assembly	3
AD-630 Locking Lint Drawer (Basket) Assembly	4
AD-630 Single Coin, (DMC) Control Panel Assembly	5
AD-630 25¢ Coin Acceptor Component Listing	6
AD-630 Dual Coin, (DMC) Control Panel Assembly	7
AD-630 Dual Coin Acceptor Component Listing	8
AD-630 Dual Coin Acceptor Component Listing	9
AD-630 Dual Coin Acceptor Component Listing	10
AD-630 OPL, (DMC) Control Panel Assembly	11
AD-630 Coin Vault Assembly	12
AD-630 (DMC) Control Box Assembly	13
AD-630 (DMC) Control Box Assembly	14
AD-630 Upper Front Panel Assembly	15
AD-630 Lower Front Panel Assembly	16
AD-630 Main Door Assembly	17
AD-630 Main Door Switch Assembly	18
AD-630 Basket (Tumbler) / Support Assembly	19
AD-630 Basket (Tumbler) Brush Assembly	20
AD-630 Temperature Sensor Probe Assembly	21
AD-630 Lint Drawer (Basket) Switch Assembly	22
AD-630 Tumbler Bearing Assembly	23
AD-630 Tumbler Bearing Assembly	24
AD-630 Totally Enclosed, Non-Vent Motor/Idler Assemblies	25
AD-630 Totally Enclosed, Non-Vent Motor/Idler Assemblies	26
AD-630 Gas Train Valve Assembly	27
AD-630 Gas Train Valve Assembly	28
AD-630 Burner Box / Piping Assemblies.....	29
AD-630 Burner Box / Piping Assemblies.....	30
AD-630 Sail Switch Assembly	31
AD-630 Back Guard Assembly	32
Optional Gas Piping and Exhaust Ducting Kits	33
AD-630 12-Rib 95" (J) Ploy Belt Arrangement	34
AD-630 Bottom Exhaust Duct Assembly	35
Additional Parts Available	36



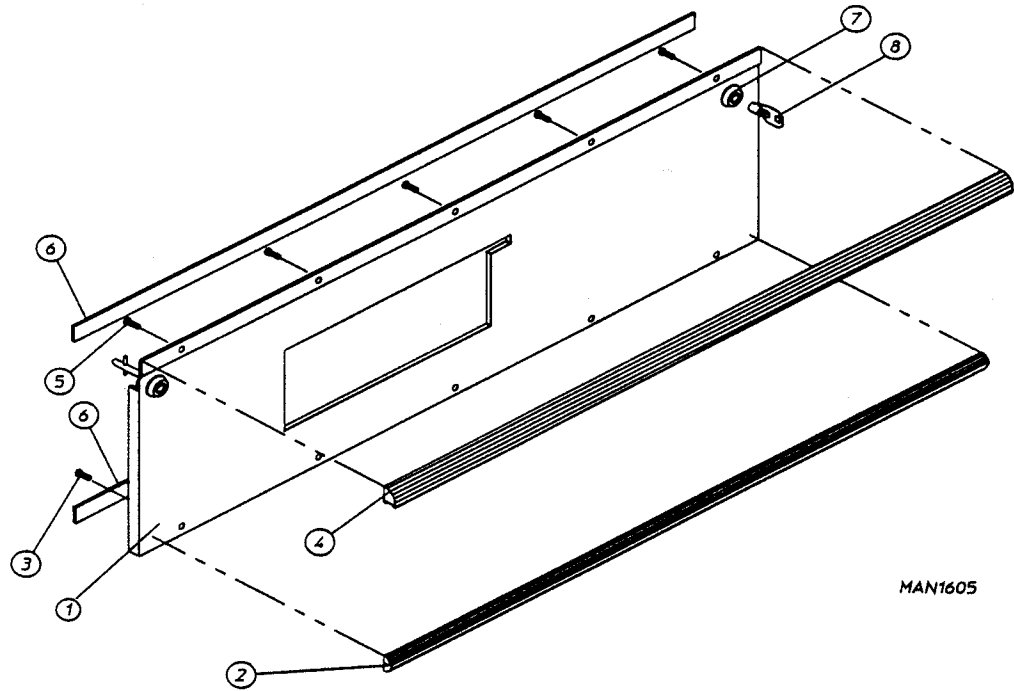
Illus. No.	Part No.	Qty.	Description
1	881124*	1	AD-630 (3-leg) Coin Control Door Assembly Complete Less Locks (includes illus. # 1 - 6, 9)
	881126	1	AD-630 (3-leg) Stainless Steel Coin Control Door Complete Less Locks (includes illus. # 1 - 6, 9)
2	180315	1	AD-630 Lower Door Trim (29 11/16" length)
3	150310	5	# 8 x 1/2" Phillips Pan Head "A" Screw
4	180316	1	AD-630 Upper Door Trim (29 11/16" length)
5	150310	5	# 8 x 1/2" Phillips Pan Head "A" Screw
6	117600	5	Noise Suppressor Tape (sold in feet)
7	160040	2	ACE® Lock Assembly Only
8	160140	-	ACE® Lock Only (key number xx4451)
9	117602	2	1/4" Noise Suppressor Tape (sold in feet)

* Specify color when ordering.



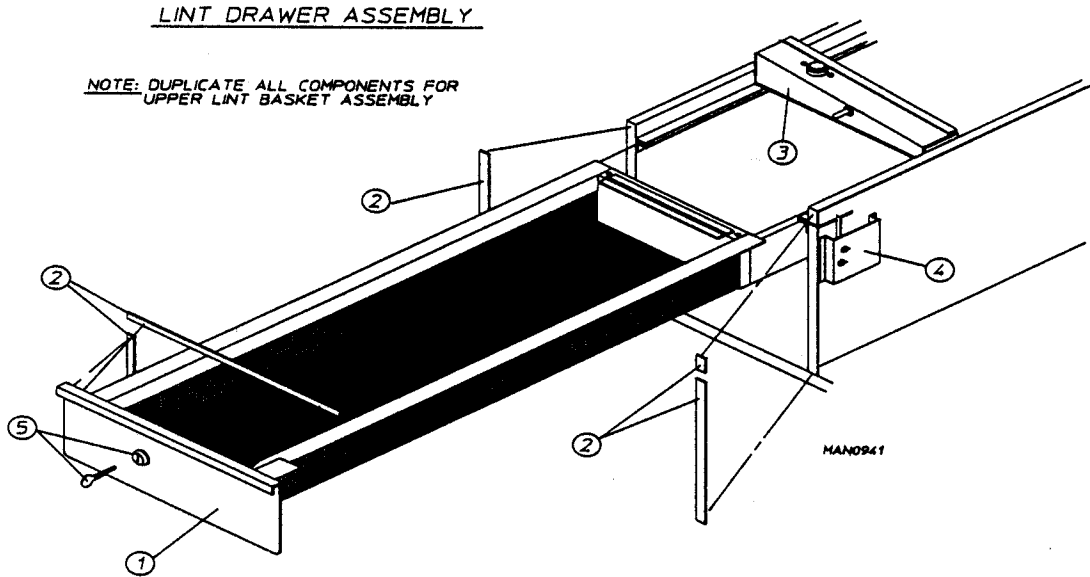
Illus. No.	Part No.	Qty.	Description
1	881123*	1	AD-630 (3-leg) OPL Control Door Assembly Complete Less Locks (includes illus. # 1 - 6, 9)
	881128	1	AD-630 (3-leg) Stainless Steel OPL Control Door Complete Less Locks (includes illus. # 1 - 6, 9)
2	180315	1	AD-630 Lower Door Trim (29 11/16" length)
3	150310	5	# 8 x 1/2" Phillips Pan Head "A" Screw
4	180316	1	AD-630 Upper Door Trim (29 11/16" length)
5	150310	5	# 8 x 1/2" Phillips Pan Head "A" Screw
6	117600	5	Noise Suppressor Tape (sold in feet)
7	160040	2	ACE® Lock Assembly Only
8	160140	-	ACE® Lock Only (key number xx4451)
9	117602	2	1/4" Noise Suppressor Tape (sold in feet)

* Specify color when ordering.



Illus. No.	Part No.	Qty.	Description
1	880246*	1	AD-630 Lint Door Assembly Complete Less Locks (includes illus. # 1 - 6)
	880195	1	AD-630 Stainless Steel Lint Door Complete Less Locks (includes illus. # 1 - 6)
2	180315	1	AD-630 Lower Door Trim (29 11/16" length)
3	150310	5	# 8 x 1/2" Phillips Pan Head "A" Screw
4	180316	1	AD-630 Upper Door Trim (29 11/16" length)
5	150310	5	# 8 x 1/2" Phillips Pan Head "A" Screw
6	117600	5	Noise Suppressor Tape (sold in feet)
7	160040	2	ACE® Lock Assembly Only
8	160140	-	ACE® Lock Only (key number xx4451)

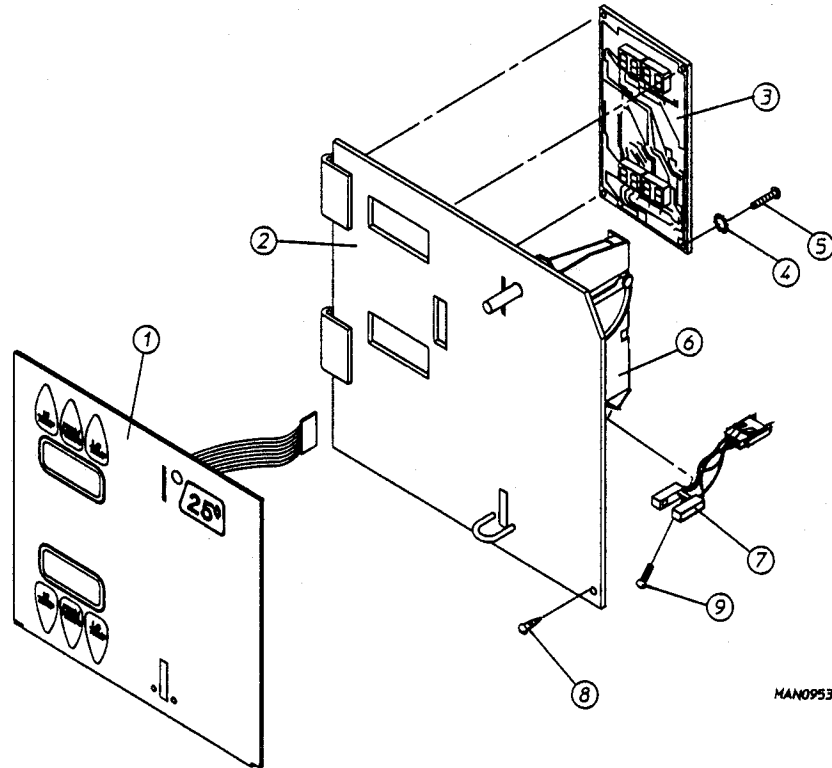
* Specify color when ordering.



Illus. No.	Part No.	Qty	Description
1	880769*	1	AD-630 Locking Lint Drawer (Basket) Assembly Complete Less Lock (includes illus. #1 - 2)
	880770	1	AD-630 Stainless Steel Locking Lint Drawer (Basket) Assembly Complete Less Lock (includes illus. # 1 - 2)
2	117600	3	Noise Suppressor Tape (sold in feet)
3	-----	1	Temperature Sensor Bracket (refer to AD-630 Temperature Sensor Bracket Assembly on page 22)
4	-----	1	Lint Drawer (Basket) Switch (refer to AD-630 Lint Drawer (Basket) Switch Assembly on page 31)
5	160015	1	Lint Drawer Lock Assembly (MK-100)
	160104	1	MK-100 Key Only
	160016	1	Cam Only

* Specify color when ordering.

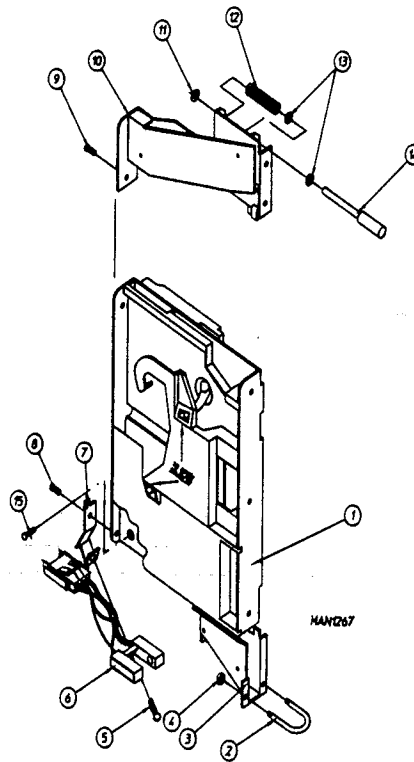
(For Single Coin 25¢ Models Only)



Illus. No.	Part No.	Qty	Description
1	112556	1	AD-630 Single Coin Twin-Keypad Label Only
	112562	1	AD-630 Single Coin Twin-Keypad Label Only
2	824033	1	AD-630 Microprocessor Control Panel w/25 cent Coin Acceptor Complete with Battery Holder (includes illus. # 1 - 7, 9)
	824012	1	AD-630 Single Coin Control Panel 24v Control less Acceptor (includes illus. # 1 - 5)
	850437	1	AD-630 DMC Control Panel Only
3	137234	1	Phase-5 Dual Control Microprocessor Only
	824998	1	Phase-5 Battery Clip
4	153010	2	# 6 Star Washer
5	150005	2	# 6-32 x 1/4" Phillips Round Head Machine Screw
6	-----	1	25¢ Coin Acceptor Only (refer to AD-630 Coin Acceptor Component Listing on Page 14)
7	137056	1	Optical Switch Only
8	150301	1	# 8-18 x 7/16" Phillips Pan Head TEK Screw
9	151016	1	#4-40 x 5/16" Slotted Pan Head Machine Screw

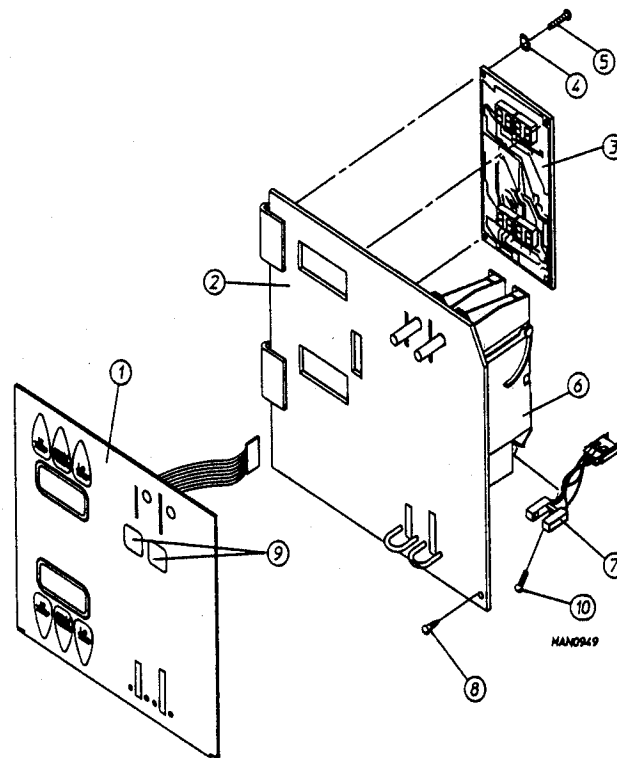
* Contact factory for export models

(For Single Coin 25¢ Models Only)



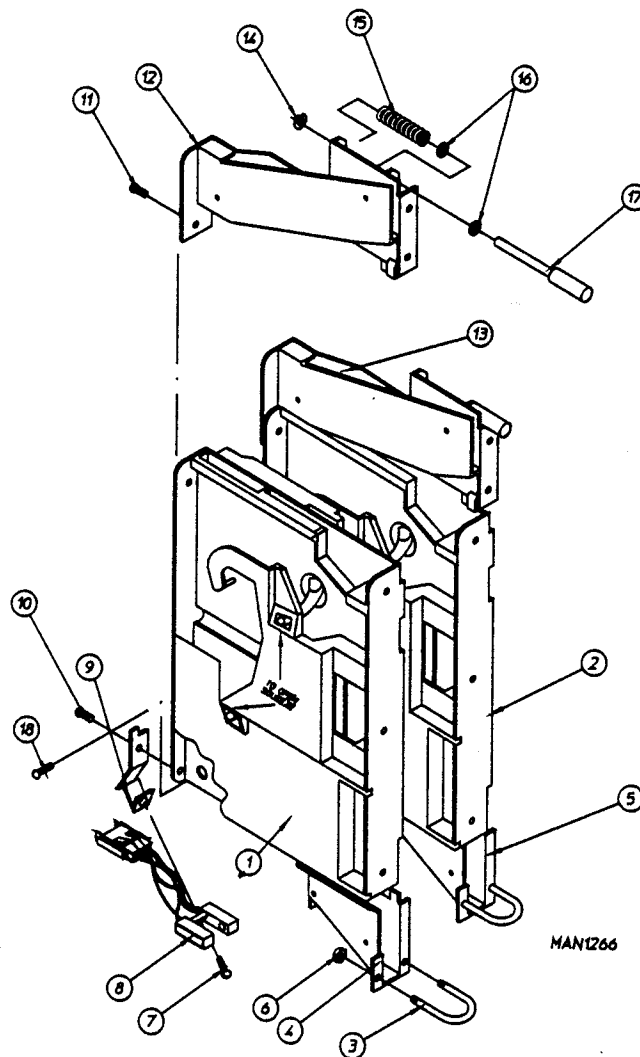
Illus. No.	Part No.	Qty.	Description
1	125707	1	AD-630 Coin Acceptor Body Only
2	154320	1	# 4-40 x 11/16" x 1" U-Bolt Only
3	880800	1	AD-630 Coin Acceptor Lower Reject with Bracket Kit (includes illus. # 3 - 15)
	125720	1	AD-630 Coin Acceptor Lower Reject with Bracket Only
4	152016	2	# 4-40 Hex Nut
5	150020	1	# 4-40 x 5/16" Slotted Pan Head Machine Screw
6	137056	1	Optical Switch Only
7	137049	1	Optical Switch Mounting Bracket Only
8	150020	1	# 4-40 x 5/16" Slotted Pan Head Machine Screw
9	150020	1	# 4-40 x 5/16" Slotted Pan Head Machine Screw
10	125715	1	AD-630 Coin Acceptor Upper Assembly Complete (includes illus. # 10 - 14)
11	125706	1	3/16" Coin Acceptor Retaining Ring Only
12	125704	1	Coin Acceptor Spring Only
13	125705	2	Coin Acceptor Spacer Only
14	125703	1	Coin Acceptor Rod Only
15	150110	1	# 8-32 x 1/4" Binding Head Phillips Machine Screw

(For Export Models Only)



Illus. No.	Part No.	Qty.	Description
1	112557	1	AD-630 DMC Coin Twin Keypad Label Only
2	824019	1	AD-630 DMC Dual Coin Control Panel Assembly Less Coin Acceptor (includes illus. # 1 - 5)
	850447	1	AD-630 Dual Coin Control Panel Only
3	137234	1	Phase-5 Dual Control Microprocessor Only
	824998	1	Phase-5 Battery Clip
4	153010	2	# 6 Star Washer
5	150005	2	# 6-32 x 1/4" Phillips Round Head Machine Screw
6	-----	1	Dual Coin Acceptor Only (refer to AD-630 Dual Coin Acceptor Component Listing on page 9)
7	137056	2	Optical Switch Only
8	150301	1	# 8-18 x 7/16" Phillips Pan Head TEK Screw
9	112153	1	25¢ / \$1 Currency Label (Canada Only)
	112152	1	20P / 50P Currency Label (United Kingdom Only)
	112154	1	20P / 1£ Currency Label (United Kingdom Only)
	112150	1	5BF / 20BF Currency Label (Belgium Only)
	112151	1	2FF / 5FF Currency Label (France Only)
	112155	1	5KR / 10KR Currency Label (Denmark Only)
	112156	1	25¢ / 1G Currency Label (Netherlands Only)
10	152016	1	#4-40 x 5/16" Slotted Pan Head Machine Screw

(For Export Models Only)

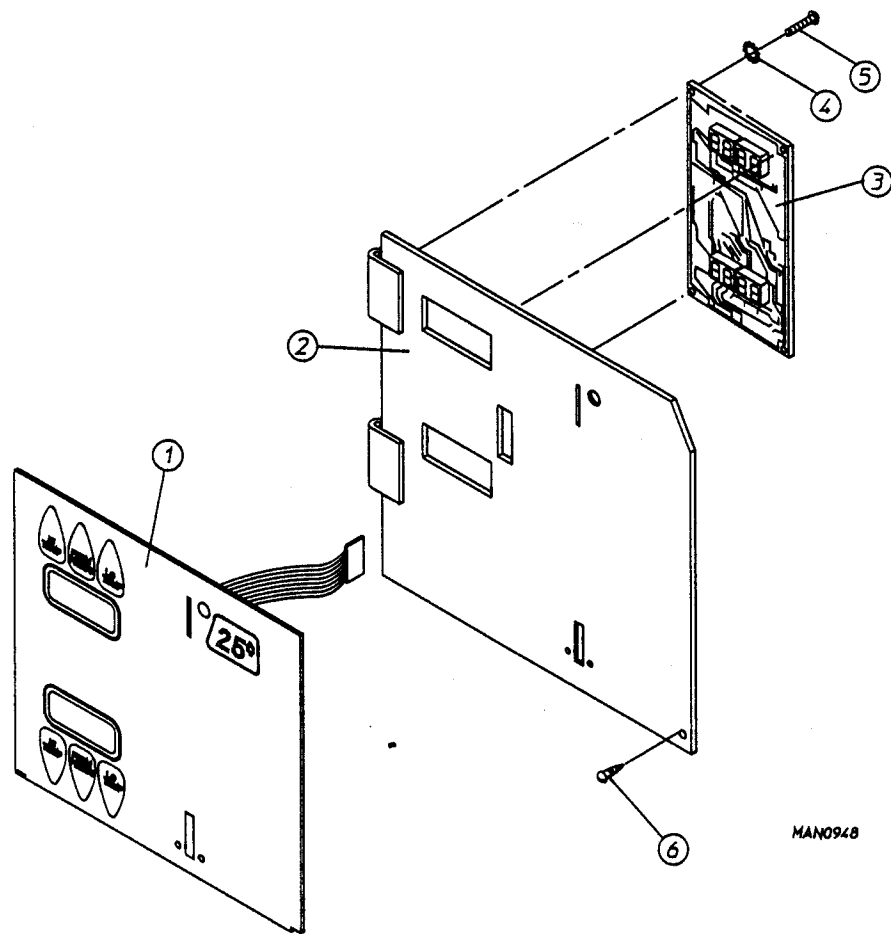


Illus. No.	Part No.	Qty.	Description	
1	125726	1	\$1 Canadian Coin Acceptor Body Only	
	125729	1	50 English Pence (50P) Coin Acceptor Body Only	
	125730	1	1 English Pound (1£) Coin Acceptor Body Only	
	125732	1	20 Belgian Franc (20BF) Coin Acceptor Only	
	125735	1	5 Franc (5FF) Coin Acceptor Body Only	
	125738	1	10 Danish Krone (10KR) Coin Acceptor Body Only	
	125740	1	1 Dutch Guilder (1G) Coin Acceptor Body Only	
	2	125725	1	25¢ Canadian Coin Acceptor Body Only
		125728	1	20 English Pence (20P) Coin Acceptor Body Only
125731		1	5 Belgian Franc (5BF) Coin Acceptor Body Only	
125734		1	2 French Franc (2FF) Coin Acceptor Body Only	
125737		1	5 Danish Krone (5KR) Coin Acceptor Body Only	
125739		2	25¢ Dutch Guilder Coin Acceptor Body Only	
3	154320	2	# 4-40 x 11/16" x 1" U-Bolt Only	

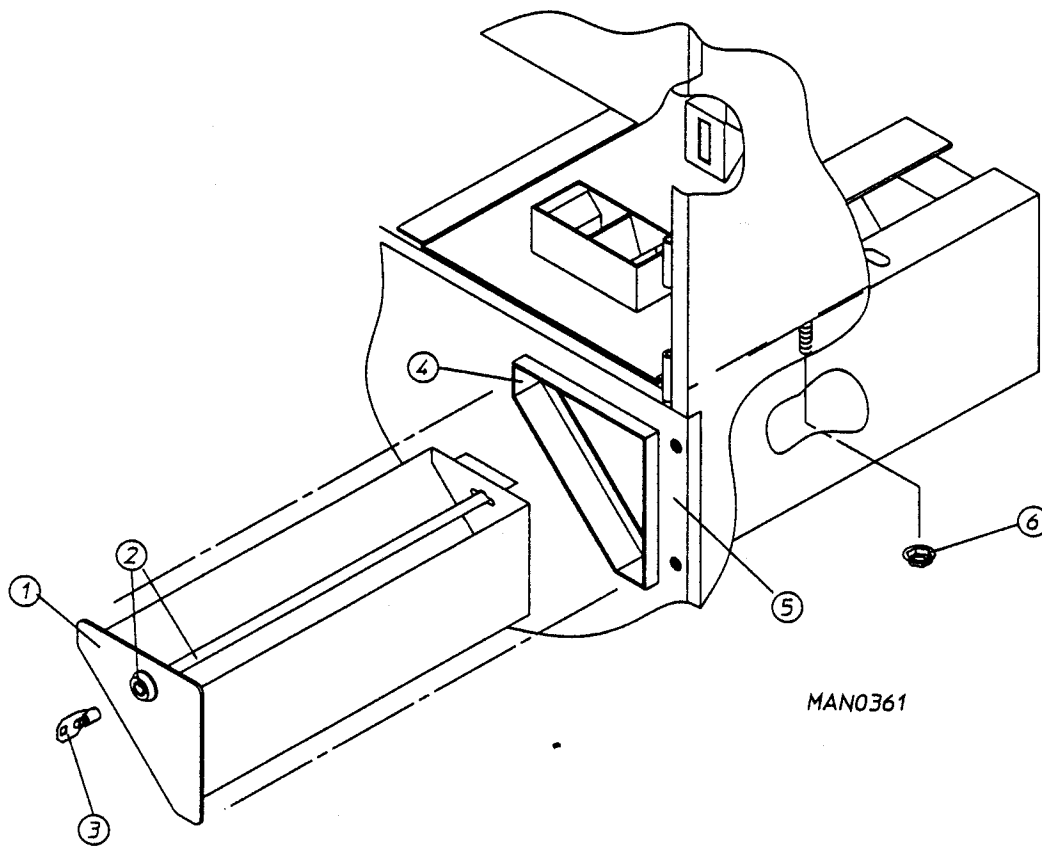
Illus. No.	Part No.	Qty.	Description		
4	880801	1	Large Lower Reject with Bracket Kit (includes illus. # 4 & 18)		
		1	\$1 Canadian Coin Acceptor Lower Assembly Only		
	125721	1	50 English Pence (50P) Coin Acceptor Lower Assembly Only		
		1	1 English Pound (1£) Coin Acceptor Lower Assembly Only		
		1	20 Belgian Franc (20BF) Coin Acceptor Lower Assembly Only		
		1	5 French Franc (5FF) Coin Acceptor Lower Assembly Only		
		1	10 Danish Krone (10KR) Coin Acceptor Lower Assembly Only		
		1	1 Dutch Guilder (1G) Coin Acceptor Lower Assembly Only		
		5	880800	1	Small Lower Reject with Bracket Kit (includes illus. # 5 & 18)
				1	25 ¢ Canadian Coin Acceptor Assembly Only
125720	1	20 English Pence (20P) Coin Acceptor Assembly Only			
	1	5 Belgian Franc (5BF) Coin Acceptor Assembly Only			
	1	25¢ Dutch Guilder Coin Acceptor Assembly Only			
	1	Large Lower Reject with Bracket Kit (includes illus. # 5 & 18)			
880801	1	2 French Franc (2FF) Coin Acceptor Assembly Only			
		5 Danish Krone (5KR) Coin Acceptor Assembly Only			
6	152016	4	# 4-40 Hex Nut		
7	150020	2	# 4-40 x 5/16" Slotted Pan Head Machine Screw		
8	137056	2	Optical Switch		
9	137049	2	Optical Switch Mounting Bracket		
10	150020	2	# 4-40 Hex Nut		
11	150020	2	# 4-40 x 5/16" Slotted Pan Head Machine Screw		
12	125716	1	\$1 Canadian Coin Acceptor Upper Assembly Complete (includes illus. # 12 & 14 - 17)		
		1	50 English Pence (50P) Coin Acceptor Upper Assembly Complete (includes illus. # 12 & 14 - 17)		
		1	1 English Pound (1£) Coin Acceptor Upper Assembly Complete (includes illus. # 12 & 14 - 17)		
		1	20 Belgian Franc (20BF) Coin Acceptor Upper Assembly Complete (includes illus. # 12 & 14 - 17)		
		1	5 French Franc (5FF) Coin Acceptor Upper Assembly Complete (includes illus. # 12 & 14 - 17)		
		1	10 Danish Krone (10KR) Coin Acceptor Upper Assembly Complete (includes illus. # 12 & 14 - 17)		
		1	1 Dutch Guilder (1G) Coin Acceptor Upper Assembly Complete (includes illus. # 12 & 14 - 17)		

(For Export Models Only)

Illus. No.	Part No.	Qty.	Description
13	125715	1	25¢ Canadian Coin Acceptor Upper Assembly Complete (includes illus. # 13 - 17)
		1	20 English Pence (20P) Coin Acceptor Upper Assembly Complete (includes illus. # 13 - 17)
		1	5 Belgian Franc (5BF) Coin Acceptor Upper Assembly Complete (includes illus. # 13 - 17)
		1	25¢ Dutch Guilder Coin Acceptor Upper Assembly Complete (includes illus. # 13 - 17)
	125716	1	2 French Franc (2FF) Coin Acceptor Upper Assembly Complete (includes illus. # 13 - 17)
		1	5 Danish Krone (5KR) Coin Acceptor Upper Assembly Complete (includes illus. # 13 - 17)
14	125706	2	3/16" Coin Acceptor Retainer Ring Only
15	125704	2	Coin Acceptor Spring Only
16	125705	4	Coin Acceptor Spacer Only
17	125703	2	Coin Acceptor Rod Only
18	150110	2	# 8-32 x 1/4" Binding Head Phillips Machine Screw



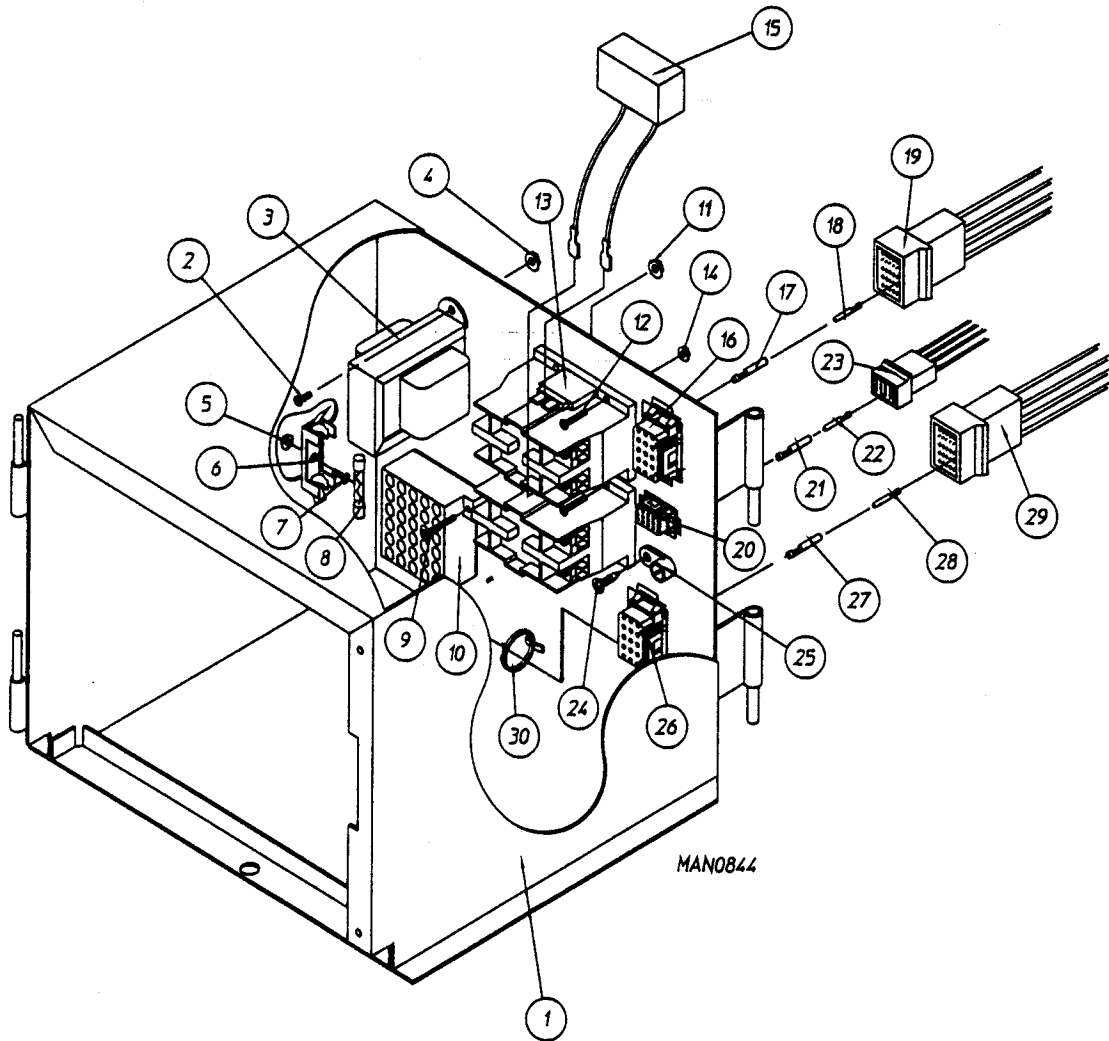
Illus. No.	Part No.	Qty.	Description
1	112556	1	AD-630 Single Coin Twin-Keypad Label Only
2	824009	1	AD-630 OPL Control Panel 24v Assembly complete (includes illus. # 1 - 5)
	824011	1	AD-630 OPL Control Panel 24v Assembly Complete with Battery Option (includes illus. # 1 - 5)
3	137234	1	Phase-5 Dual Control Microprocessor
	824998	1	Phase-5 Battery Clip
4	153010	2	# 6 Star Washer
5	150005	2	# 6-32 x 1/4" Phillips Round Head Machine Screw
6	150301	1	# 8-18 x 7/16" Phillips Pan Head TEK Screw



Illus. No.	Part No.	Qty.	Description
1*	880118	1	AD-630 Coin Box Assembly Only Less Lock
2	160036**	1	ACE® Lock Assembly with Key
3	160136**	1	ACE® Key Only
4*	880117	1	AD-630 Coin Vault Assembly Only Less Lock (includes illus. # 1, 4 and 6)
5	800690*	1	Lower Front Panel (see AD-630 Lower Front Panel Assembly on page 16)
	800687	1	Lower Front Panel (see AD-630 Stainless Steel Lower Front Panel Assembly on page 16)
6	152014	4	1/4-20 Free Spin Wash Nut

* Specify color when ordering

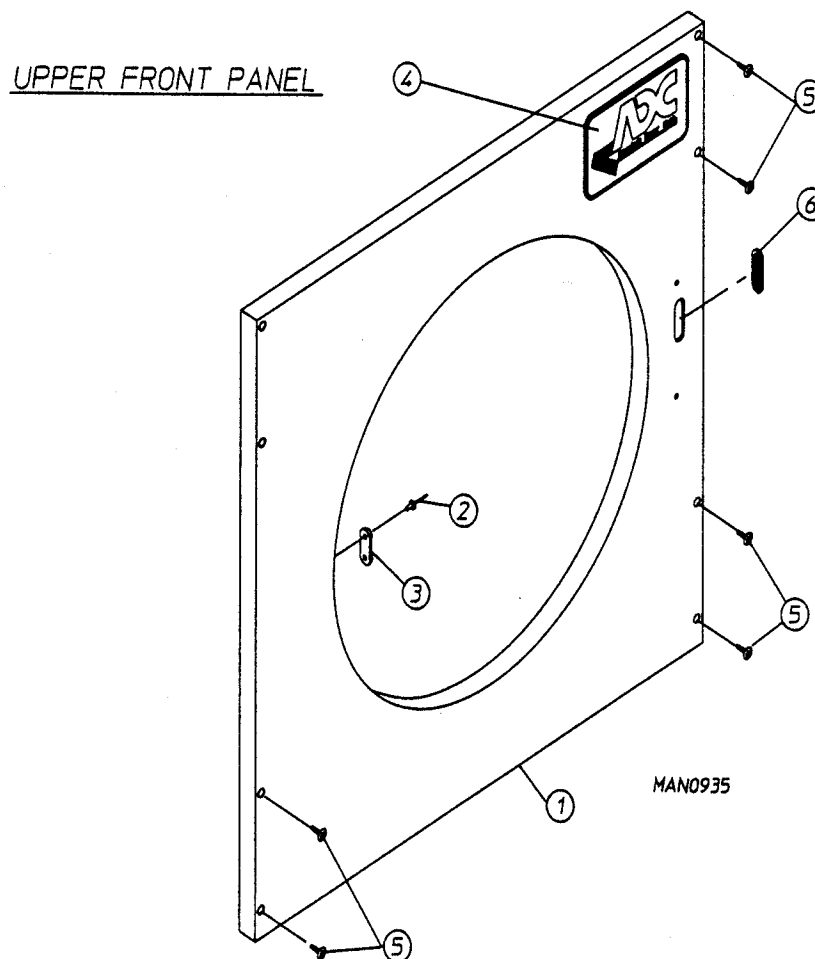
** Specify key number when ordering



Illus. No.	Part No.	Qty.	Description
1	824437	1	AD-630 Electric Box Complete (208 Volt) (includes illus. # 1 - 17, 20, 21, and 24 - 27)
	824438	1	AD-630 Electric Box Complete (220/230/240 Volt) (includes illus. # 1 - 17, 20, 21, and 24 - 27)
	824439	1	AD-630 Electric Box Complete (120 Volt) (includes illus. # 1 - 17, 20, 21, and 24 - 27)
2	150103	2	# 8-32 x 3/4" Round Head Machine Screw
3	141403	1	24 VAC Transformer
4	151001	2	# 8-32 Pal Nut
5	151000	1	# 6-32 Pal Nut
6*	136008	**	3-Position Fuse Block
7	150002	1	# 6-32 x 1" Round Head Machine Screw
8*	136057	**	1/2 Amp (Slo-Blo) Fuse Only
9	150002	2	# 6-32 x 1" Round Head Machine Screw
10	120715	1	30 Position Terminal Block
11	151000	2	# 6-32 Pal Nut
12	150103	4	# 8-32 x 3/4" Round Head Machine Screw
13	132451	2	2-Pole Connector
14	151001	4	# 8-32 Pal Nut
15	824828	2	RC Network with Connectors
16	122626	1	15-Pin Socket Connector Only
17	122705	9	Socket Terminal Only
18	122704	9	Pin Terminal Only
19	122625	1	15-Pin Connector Only
	137025	1	6/15 Position Strain Relief (Not Illustrated)
20	122631	11	6-Pin Socket Connector Only
21	122705	6	Socket Terminal Only
22	122704	6	Pin Terminal Only
23	122630	1	6-Pin Connector Only
	137025	1	6/15 Position Strain Relief (Not Illustrated)
24	150415	1	# 10-16 x 1/2" Phillips Round Head Crimptite Screw
25	121010	1	L-70 Ground Lug
26	122626	1	15-Pin Connector Only
27	122705	7	Socket Terminal Only
28	122704	7	Pin Terminal Only
29	122625	1	15-Pin Connector Only
	137025	1	6/15 Position Strain Relief (Not Illustrated)
30	121494	10	Push-Mount Wire Tie
-	122801	1	Pin/Socket Extraction Tool
-	122800	1	Microprocessor (female) Pin Extraction Tool

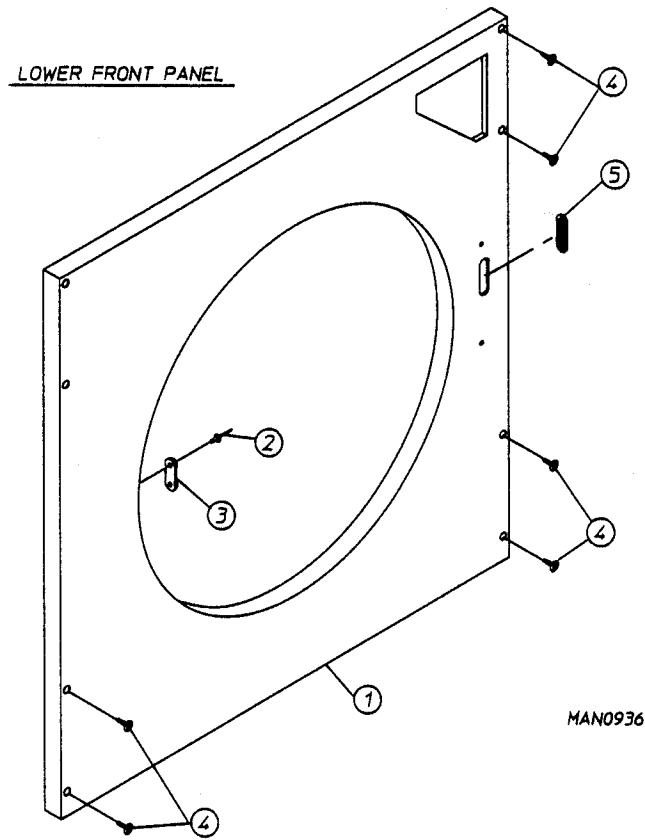
* Check fuse rating for verification.

** 115 v Application Qty=1.

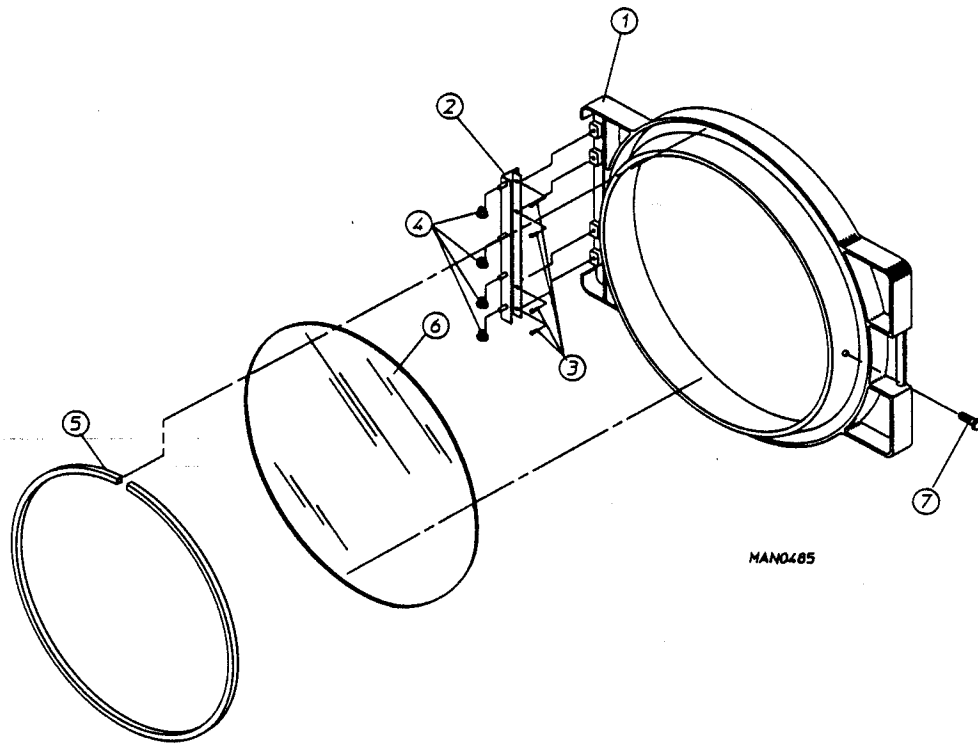


Illus. No.	Part No.	Qty.	Description
1	800685*	1	AD-630 Upper Front Panel Assembly Complete with hinge (includes illus. # 1 - 3, 6)
	800686	1	AD-630 Stainless Steel Upper Front Panel Assembly Complete with Hinge (includes illus. # 1 - 3, 6)
2	154215	2	1/8" Pop Rivet
3	170330	1	Friction Door Latch
4	881053	1	ADC Logo with Tape
	870011	-	Logo Double Sided Tape Kit
5	150415	8	# 10-16 x 1/2" Phillips Round Head Screw
6	121405	1	Rubber Grommet

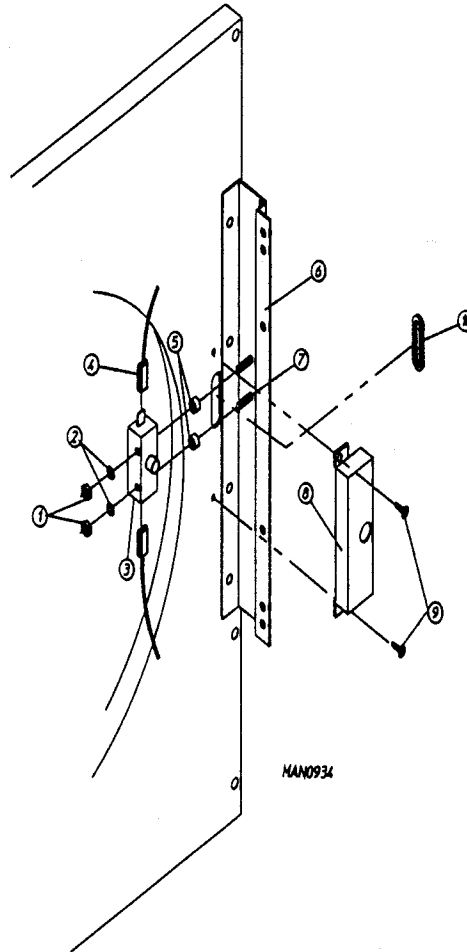
* Specify color when ordering.



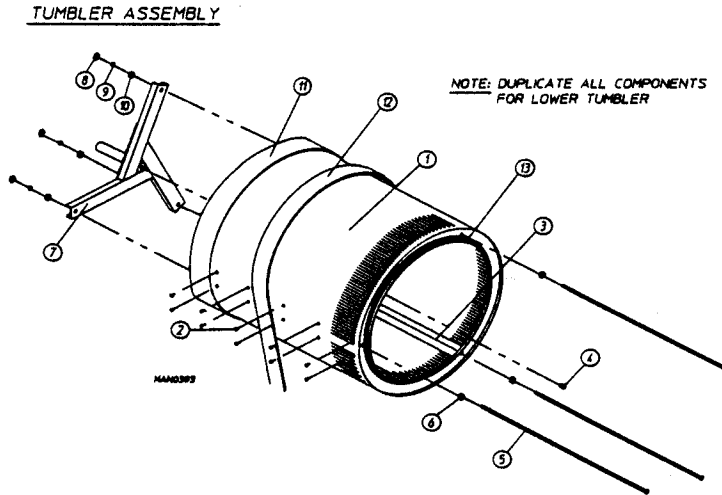
Illus. No.	Part No.	Qty.	Description
1	800690*	1	AD-630 Lower Front Panel Assembly Complete with Hinge (includes illus. # 1 - 3, 5) For Coin Models Only
	800687	1	AD-630 Stainless Steel Lower Front Panel Assembly Complete with Hinge (includes illus. # 1 - 3, 5) For Coin Models Only
	800685*	1	AD-630 Lower Front Panel Assembly Complete with Hinge (includes illus. # 1 - 3, 5) For OPL Models Only
	800686	1	AD-630 Stainless Steel Lower Front Panel Assembly Complete with Hinge (includes illus. # 1 - 3, 5)



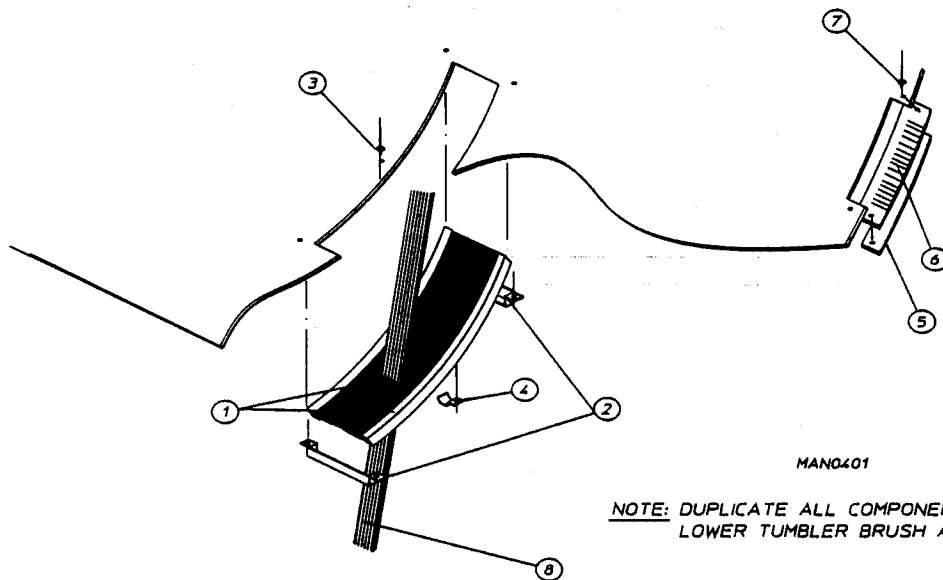
Illus. No.	Part No.	Qty.	Description
1	800286	1	AD-630 Black Main Door Assembly Complete (includes illus # 1, 5, 6, 7)
2	800448	1	12 1/2" Stainless Steel Main Door Hinge
3	150410	4	# 10-24 x 3/8" Phillips Pan Head Taptite Screw
4	152014	4	1/4-20 Free Spin Wash Nut
5	102353	1	69 1/2" Main Door Gasket
6	102210	1	20 7/16" Door Glass
	170730	1	Glass Adhesive for Lightweight Main Door Assembly (10.3 oz. Cartridge)
7	150431	1	Main Door Latch Screw (# 10 x 7/16" Dome Head Screw)



Illus. No.	Part No.	Qty	Description
1	152013	2	# 6-32 Hex Nut
2	153008	2	# 6 Split Lock Washer
3	137005	1	Single Pole Door Switch
4	121028	2	Insulated Female Terminal
5	154281	2	3/8" Standard Nylon Spacers
6	800448	1	12 1/2" Stainless Steel Main Door Hinge
7	153565	2	# 6 Stud
8	313218	1	AD-630 Main Door Switch Housing
9	150201	2	# 10-32 x 1/4" Phillips Pan Head Screw
10	121405	1	Rubber Grommet

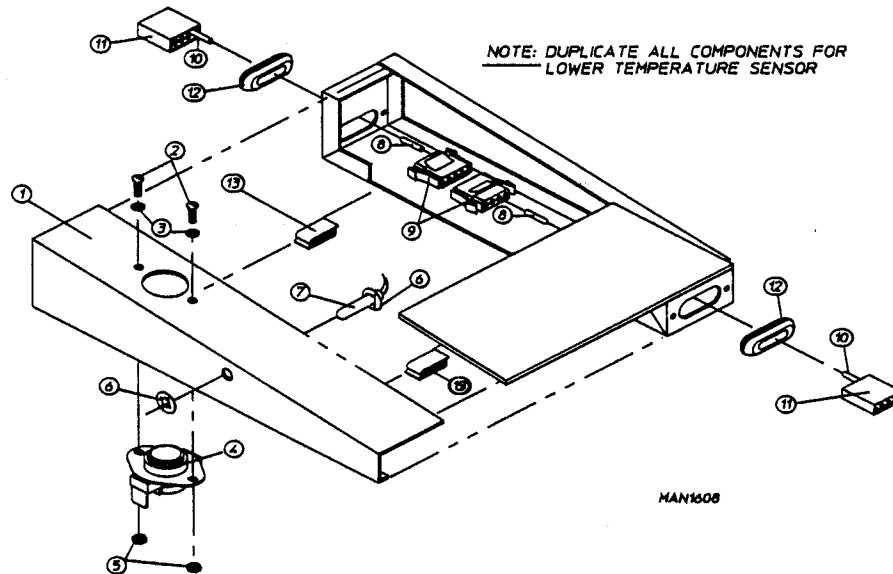


Illus. No.	Part No.	Qty.	Description
1	800832	1	AD-630 Basket Support Assembly Complete with Felt Collars (includes illus. # 1 - 11 & 13)
	800892	1	AD-630 Stainless Steel Basket and Support Assembly Complete with Felt Collars (includes illus. # 1 - 11 & 13)
	800722	1	AD-630 Basket Only without Felt Collars (includes illus. # 1 - 3)
	800842	1	AD-630 Stainless Steel Basket Only without Felt Collars (includes illus. # 1 - 3)
2	150415	30	# 10-16 x 1/2" Phillips Round Head Crimptite Screw
3	301315	2	AD-630 Short Basket Rib
	301316	1	AD-630 Tall Basket Rib
	301414	2	AD-630 Stainless Steel Short Basket Rib
	301415	1	AD-630 Stainless Steel Tall Basket Rib
4	150518	1	5/16-18 x 3/8" Socket Button Head Screw
5	100902	3	5/16-18 x 31" Tie Rod
6	153001	3	5/16" Flat Washer
7	850061	1	AD-630 Basket Support Only
8	152004	3	5/16-18 Hex Nut
9	153002	3	5/16" Lock Washer
10	153001	3	5/16" Flat Washer
	116003	1	Front Felt Collar
11	401010	1	# 847 Adhesive for Felt Collar (5 oz. Tube)
	100130	1	12-Rib 95" Belt
13	115992	1	Felt Collar
	170730	1	Cartridge (10.3 oz.) of Silicone Adhesive

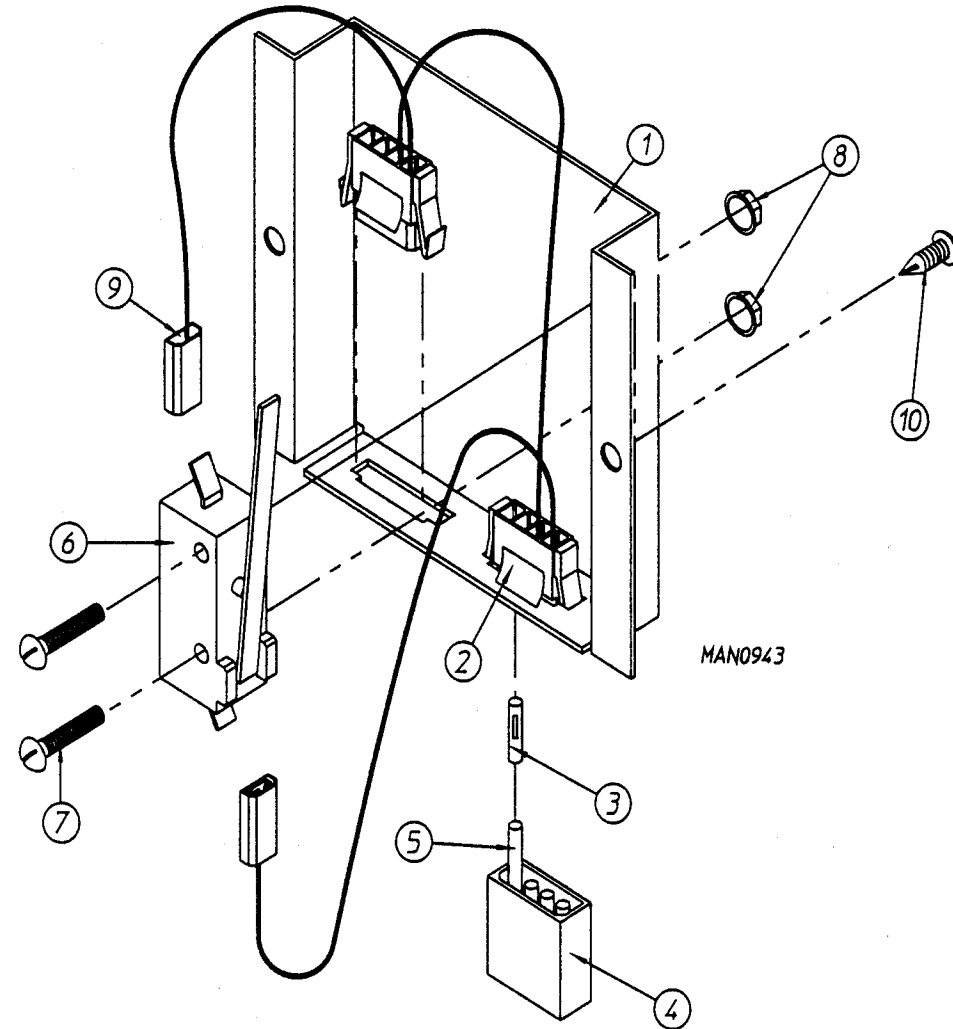
TUMBLER BRUSH ASSEMBLY

Illus. No.	Part No.	Qty.	Description
1	170198	2	AD-630 Drive Belt Sealing Brush
2	317656	2	AD-630 Sealing Brush Clip End
3	154210	6	5/32" x 3/16" Pop Rivet
4	120117	2	3/8" EMT Hanger
5	317651	1	AD-630 Wrapper Gasket Strip
6	102325	1	8 1/2" x 1 1/2" x 1/8" Wrapper Gasket Strip
7	154210	2	5/32" x 3/16" Pop Rivet
8	100130	1	12-Rib 95" Belt

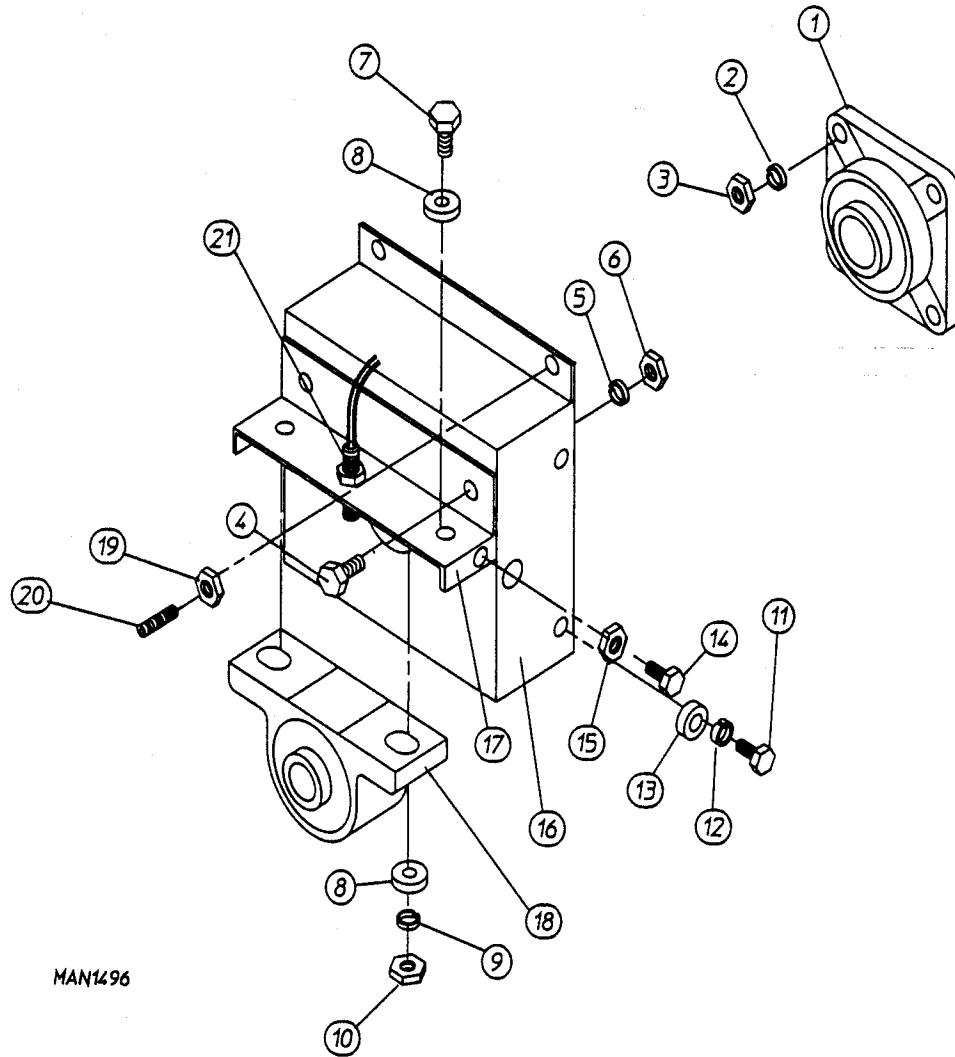
UPPER TEMPERATURE SENSOR



Illus. No.	Part No.	Qty	Description
1	881157	1	AD-630 Temperature Sensor Bracket Assembly Complete (includes illus. # 1 - 9, 12)
	881156	1	AD-630 Temperature Sensor Bracket Only
2	150000	2	# 6-32 x 1/4" Round Head Machine Screw
3	153010	2	# 6 Star Washer
4	130106	1	170° Large Thermostat
5	152013	2	# 6-32 Hex Nut
6	154007	2	1/4" Tinnerman Push-on Fastener
7	880111	1	DMC 1/4" Temperature Sensor Probe Assembly (includes illus. # 6 - 9)
8	122701	8	Socket Connector Only
9	122670	2	4-Pin Socket Connector Only
10	122700	8	Pin Terminal Only
11	122604	2	4-Pin Socket Connector
	122801	1	Pin/Socket Extraction Tool
12	121405	2	Rubber Grommet
13	154060	2	Tinnerman "S" Clip

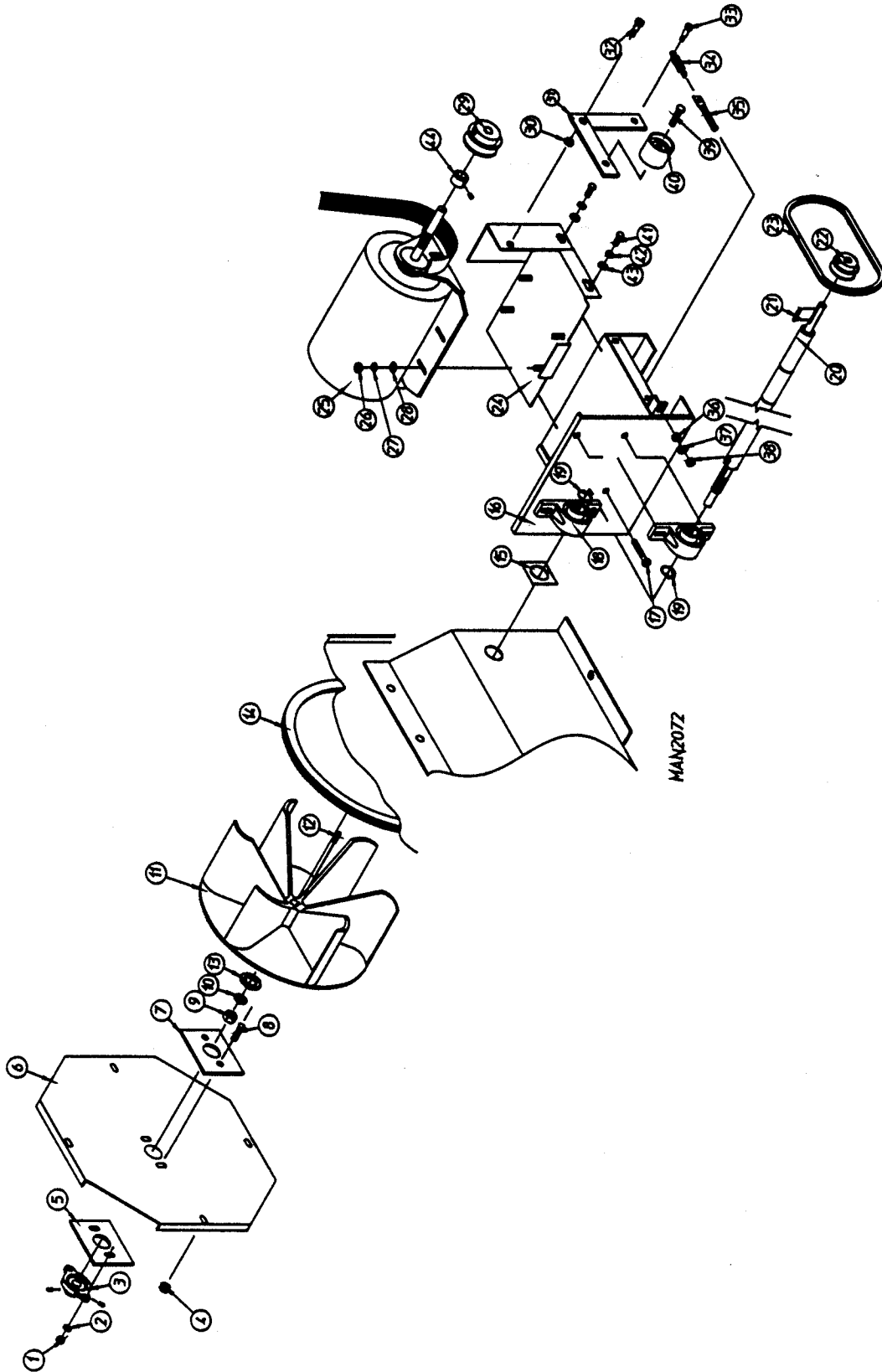


Illus No.	Part No.	Qty.	Description
1	304039	1	AD-630 Switch Box Cover Lint Basket
2	122605	2	4-Pin Socket Connector Only
3	122701	4	Socket Terminal Only
4	122604	2	4-Pin Connector Only
5	122700	4	Pin Terminal Only
6	136998	1	AD-630 Lint Drawer (Basket) Safety Switch Only
7	150002	2	# 6-32 x 1" Round Head Machine Screw
8	152013	2	# 6-32 Hex Nut
9	824848	1	AD-630 Lint Switch Bottom Harness
	824849	1	AD-630 Lint Switch Top Harness
10	150301	2	# 8-18 x 7/16" Phillips Pan Head TEK Screw
-	122801	1	Pin/Socket Extraction Tool

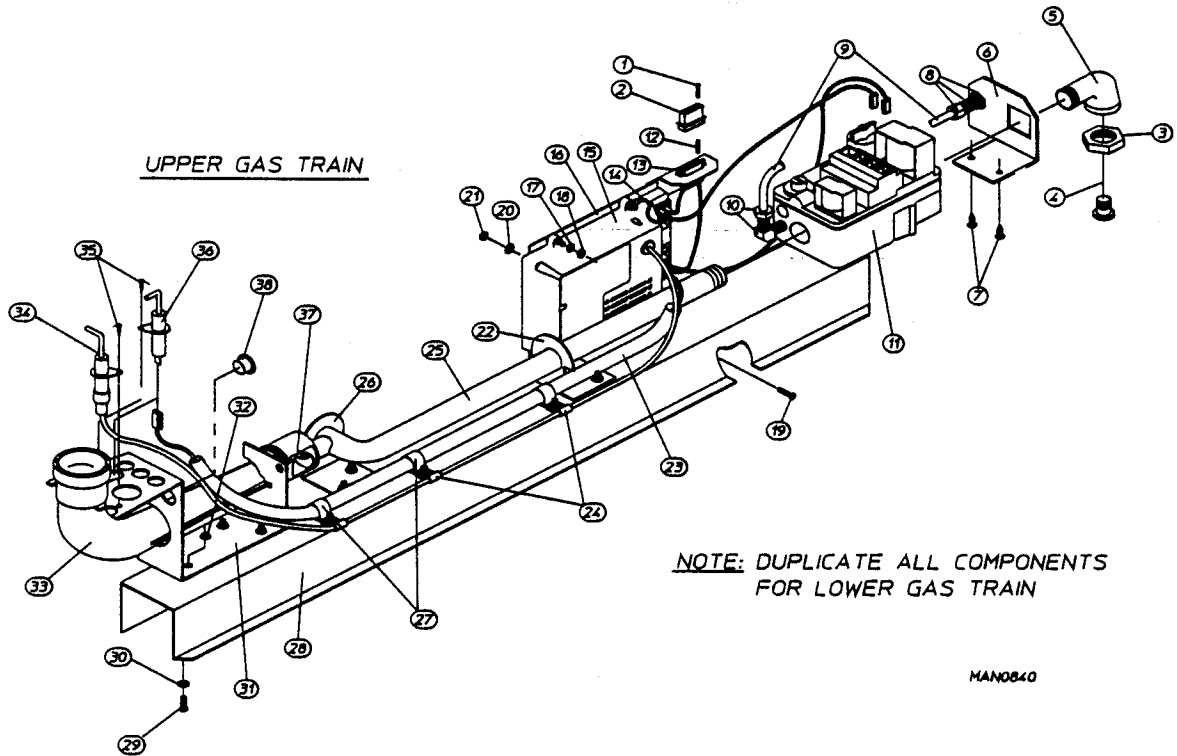


Illus. No.	Part No.	Qty.	Description
1	100203	1	1 3/8" Flange Bearing
2	153005	4	3/8" Lock Washer
3	152005	4	3/8-16 Hex Nut
4	150508	2	3/8-16 x 3/4" Hex Head Machine Bolt
5	153005	2	3/8" Lock Washer
6	152005	2	3/8-16 Hex Nut
7	150600	2	3/8-16 x 1 1/2" Hex Head Machine Bolt
8	153004	2*	3/8" Flat Washer
9	153005	2	3/8" Lock Washer
10	152005	2	3/8-16 Hex Nut
11	150501	4	5/16-18 x 3/4" Hex Head Machine Bolt
12	153002	4	5/16" Lock Washer
13	153001	4	5/16" Flat Washer
14	150621	2	5/16-18 x 3/2" Hex Head Machine Bolt
15	152004	2	5/16-18 Hex Nut
16	801107	1	1 3/8" Bearing Box Assembly Complete (includes illus. # 4 - 21)
	801103	1	1 3/8" Bearing Box and Support Assembly Only (includes illus. # 4 - 6,16,17)
	801105	1	1 3/8" Bearing Box Only
17	801104	1	1 3/8" Pillow Block Bearing Support Only
	880779	1	1 3/8" Pillow Block Bearing Assembly with Magnet
19	152004	2	5/16-18 Hex Nut
20	150610	2	5/16-18 x 1 1/2" Allen Set Screw
21	824807	1	Rotational Sensor Assembly

* Some models require a quantity of 4.

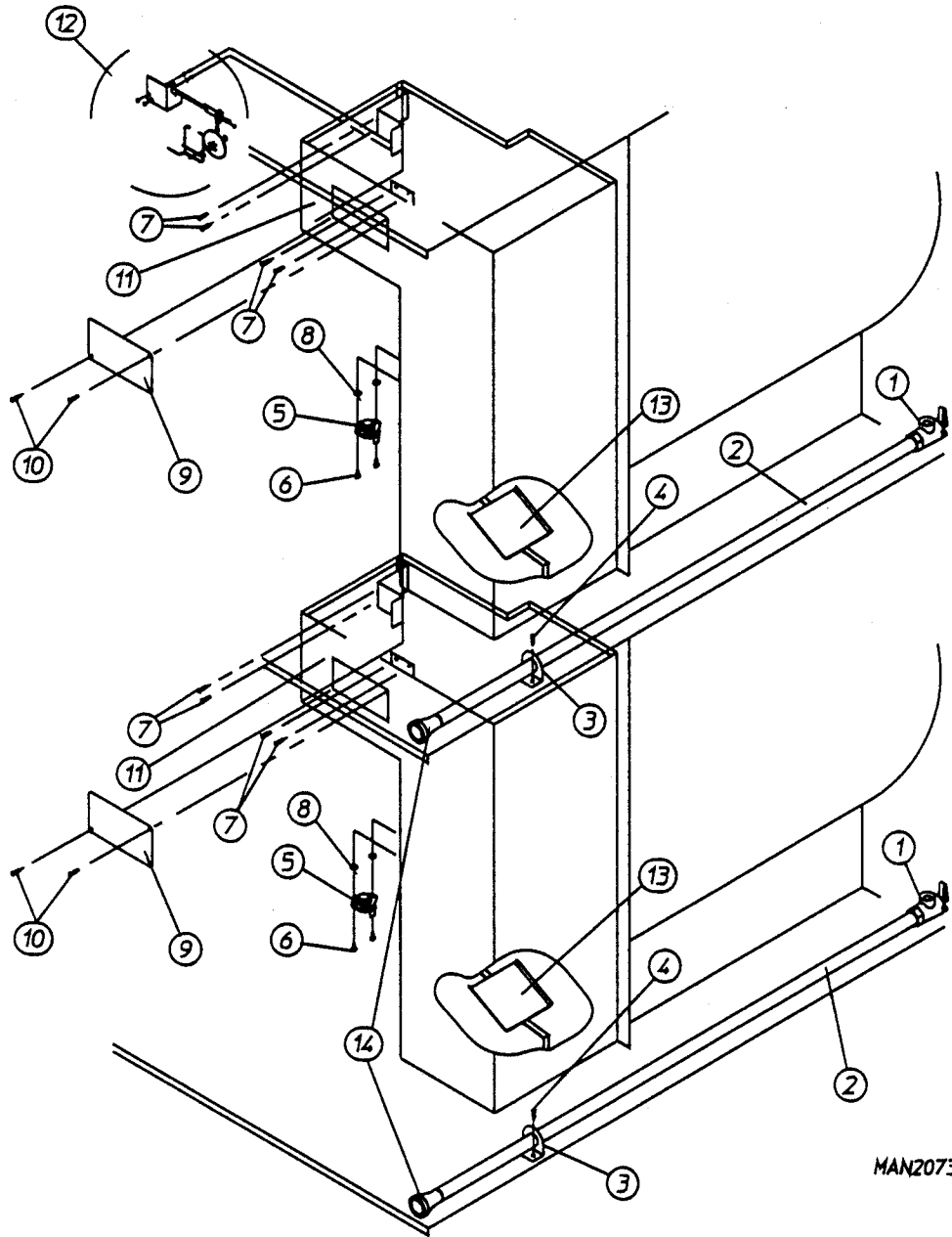


Illus. No.	Part No.	Qty.	Description
1	152002	2	1/4-20 Hex Nut
2	153007	2	1/4" Lock Washer
3	100225	1	1/2" Flange Bearing with Nylon Patch Set Screw
4	152014	4	1/4-20 Free Spin Wash Nut
5	116011	1	AD-630 Bearing Felt Seal
6	880885	1	Impellor Cover
7	850132	1	AD-630 Bearing Back-up Plate (include illus. # 7 - 8)
	852104	1	AD-630 Bearing Back-up Plate Assembly (includes illus. # 1 - 2,5,7 - 8)
8	153535	2	1/4"-20 x 1" Self-Clinching Stud
9	152025	1	3/4-16 Jam Nut
10	153040	1	3/4" Lock Washer
11	100608	1	12 1/2" Impellor with 3/4" Bore (for 60 Hz Models)
12	100705	1	3/16" x 3/16" x 1 3/8" Key
13	153051	1	AD-630 Motor Washer
14	117600	3	Noise Suppressor Tape (sold in feet)
15	116101	1	AD-630 Felt Motor Seal Only
16	803995	1	Motor Mount Only
17	150503	1	5/16-18 x 2" Hex Head Machine Bolt
18	880205	1	1" Pillow Block Bearing
19	100800	2	1" Retaining Ring
20	100308	1	AD-630 High Speed Impellor Shaft
21	100701	1	3/16" x 3/16" x 1" Key
22	101130	1	5/8" x 2 1/2" Sheave
23	100153	1	L421 GPL V-Belt
24	850159	1	Motor Mount Plate Assembly
25	100026	1	1 1/2 HP, 115/230v, 1 Phase, 60 Hz Motor
26	152004	4	5/16"-18 Hex Nut
27	153002	4	5/16" Lock Washer
28	153001	4	5/16" Flat Washer
29	101179	1	1/2" x 4" Dia. Sheave
30	121350	1	13/32" x 3/8" Bronze Bushing
31	850129	1	Idler Arm Assembly
32	154277	1	5/16" x 3/8" Shoulder Bolt
33	154276	1	1/4-20 x 5/8" Shoulder Bolt
34	157010	1	1 7/8" Extension Spring
35	154275	1	3/8-16 x 3/8" Spade Bolt
36	152005	1	3/8"-16 Hex Nut
37	153005	1	3/8" Lock Washer
38	152005	1	3/8"-16 Hex Nut
39	150600	1	3/8-16 x 1 1/2" Hex Bolt
40	100250	1	Backside Idler Assembly
41	150501	2	5/16-18 x 3/4" Hex Head Machine Bolt
42	153002	2	5/16" Lock Washer
43	153001	2	5/16" Flat Washer



Illus. No.	Part No.	Qty.	Description
1	122700	2	Pin Terminal Only
2	122604	1	4-Pin Connector Only
3	141325	1	Tail Piece Collar Only
4	141303	1	1/2" Union Tail Piece Only
5	142506	1	1/2" x 1/2" Street Elbow
6	318702	1	Gas Pipe Bracket
7	150301	2	# 8-18 x 7/16" Phillips Pan Head TEK Screw
8	143259	1	Bulkhead Fitting
9	143100	1	1/4" Aluminum Tubing (sold in feet)
10	143203	1	90° Line Adapter
11	128927	1	1/2" 24VAC DSI Redundant (natural gas) Valve
	140411	1	DSI L.P. (gas valve) Conversion Kit
12	122701	2	Socket Terminal Only
13	122605	1	4-Pin Socket Connector Only
	122801	1	Pin/Socket Extraction Tool
14	842716	1	AD-630 Gas Valve Train Ground Wiring (top gas train)
	842724	1	AD-630 Gas Valve Train Ground Wiring (bottom gas train)
15	880815	1	DSI Module Only
16	850808	1	DSI Module Mounting Bracket Only
17	153017	4	# 6 Star Washer
18	151000	4	# 6-32 Pal Nut
19	153528	2	# 8-32 x 1/2" Self Clinching Stud
20	153012	2	# 8 Star Washer
21	152001	2	# 8-32 Hex Nut
22	318711	1	Notched Pipe Bracket
23	121060	4	5/8" Clear Flexite
24	121492	3	3/16" Nylon Clamp
25	141225	1	AD-630 Single-Port Manifold Only
26	318700	1	Pipe Bracket
27	121491	3	5/8" Nylon Clamp
28	801020	1	AD-630 (natural gas) Gas Valve Train Assembly Complete Less Orifice (includes illus. # 3 - 36 and 38)
	319522	1	AD-630 Gas Valve Train Slide Assembly
29	153528	9	# 8-32 x 1/2" Self-Clinching Stud
30	153012	16	# 8 Star Washer
31	318009	1	AD-630 Burner Tube Bracket (PSE)
32	151001	8	# 8-32 Pal Nut
33	809305	1	DSI Up-Shot Burner Assembly Only
34	128917	1	Spark Electrode
35	150315	2	# 6 x 3/8" Phillips
36	128918	1	Flame Sensor
37	140835*	1	# 9 Burner Orifice
	140810*	1	# 33 Burner Orifice
38	121300	2	Open/Closed Bushing
--	880931*	1	L.P Conversion Kit

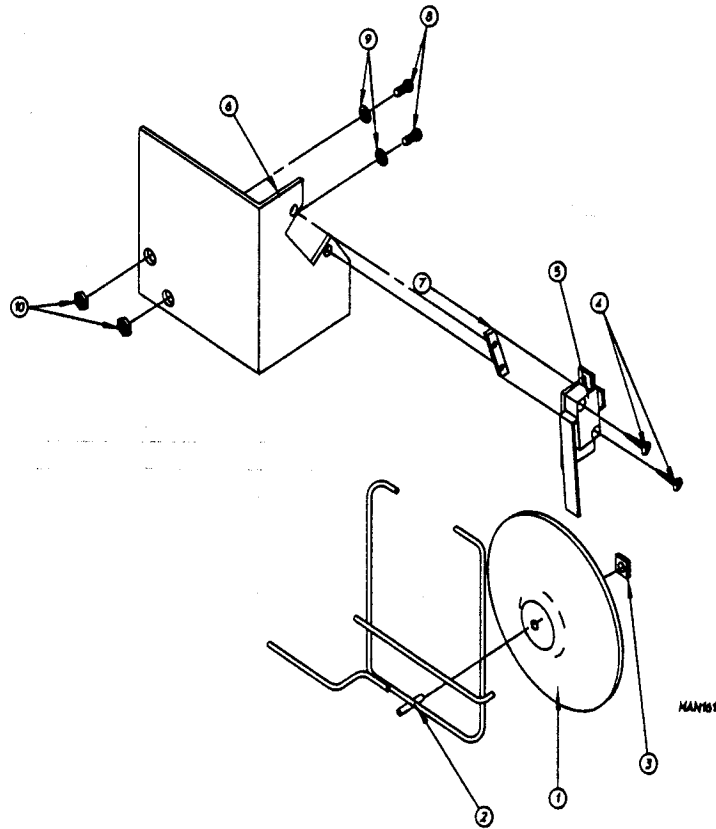
* Consult Factory For Elevations Over 2,000 Feet



MAN2073

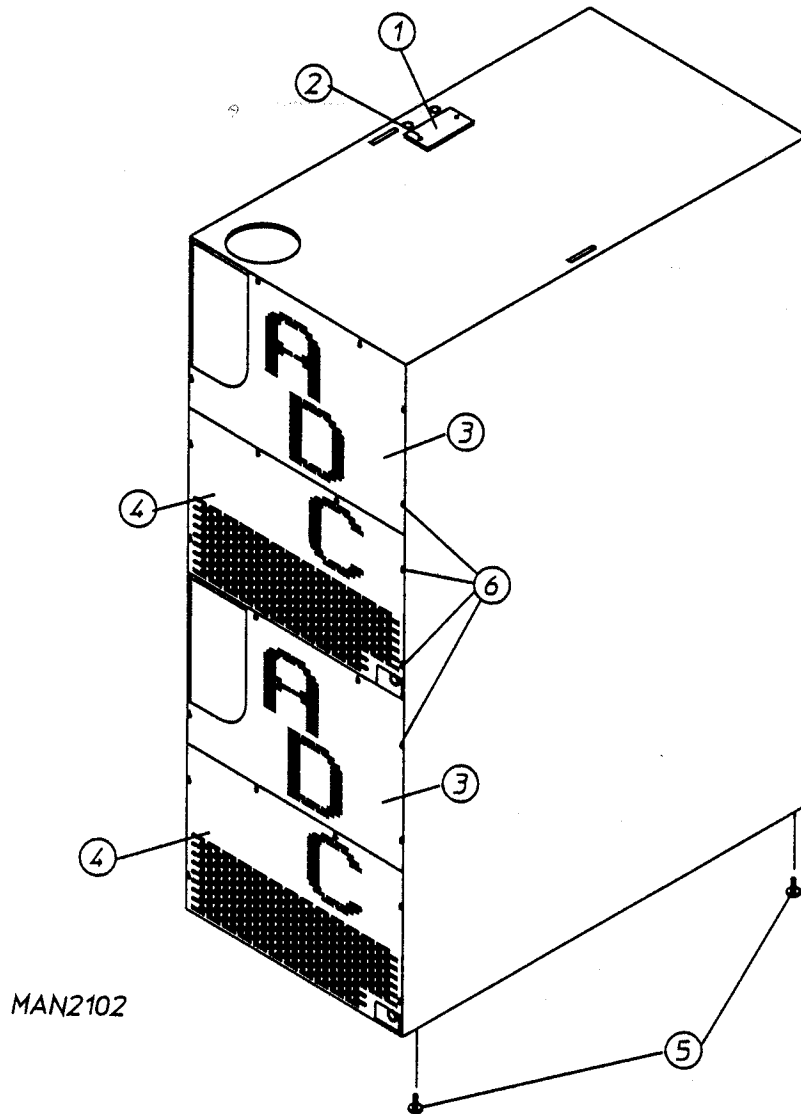
Illus. No.	Part No.	Qty.	Description
1	141305	1	Union Shut-off Body Only
2	142085	1	1/2" x 3/4" Pipe
3	318700	1	Pipe Bracket
4	150300	2	# 10-32 x 1/2" Hex Washer TEK Screw
5	130401	1	330° HI-Limit
6	150300	2	# 10-32 x 1/2" Hex Washer TEK Screw
7	150301	8	# 8-18 x 7/16" Phillips Pan Head TEK Screw
8	153002	2	5/16" Split Lock Washer Plated
9	318065	2	Burner Box Clean Out Cover
10	150300	4	# 10-32 x 1/2" Hex Washer TEK Screw
11	881127	2	Burner Box Without Flame Spreader
12	—	—	Sail Switch Assembly (see page 31)
13	881125	2	AD-630 Flame Spreader

SAIL SWITCH ASSEMBLY

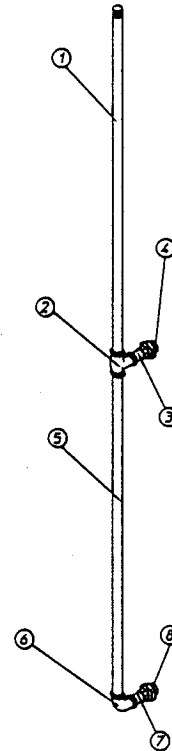
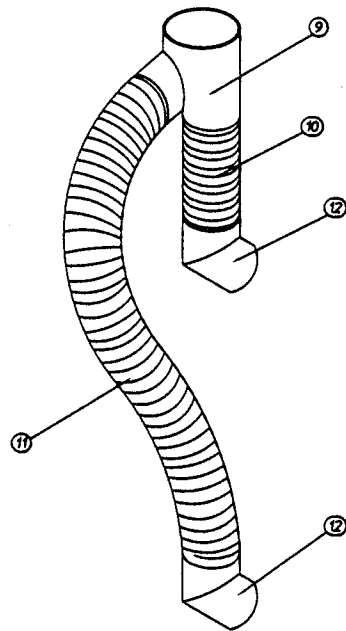


NOTE: DUPLICATE ALL COMPONENTS
FOR LOWER SAIL SWITCH ASSEMBLY

Illus. No.	Part No.	Qty.	Description
1	319206	1	Sail Switch Damper (embossed)
	802805	1	AD-630 Sail Switch Rod and Damper Assembly (includes illus. # 1,2, and 3)
2	105550	1	AD-630 Sail Switch Rod
3	154002	1	1/8" Push-On Fastener
4	150303	2	# 4 x 3/4" Pan Head "A" Machine Screw
5	122200	1	Sail Switch
	802807	1	AD-630 Sail Switch Bracket Assembly (includes illus. # 4 - 7)
6	319208	1	AD-630 Sail Switch Bracket
7	154004	1	Twin Speed Nut
8	150001	2	# 6-32 x 1/2" Round Head Machine Screw
9	153010	2	# 6 Star Washer
10	152000	2	# 6-32 Hex Nut



Illus. No.	Part No.	Qty.	Description
1	315014	1	Top Electric Box Cover Plate
2	150301	2	# 8-18 x 7/16" Phillips Pan Head TEK Screw
3	314404	1	AD-630 Top and Bottom Upper Guard
4	314405	1	AD-630 Top and Bottom Lower Guard
5	103500	4	Adjustable Leveling Leg
6	150301	22	# 8-18 x 7/16" Phillips Pan Head TEK Screw



MAN1516

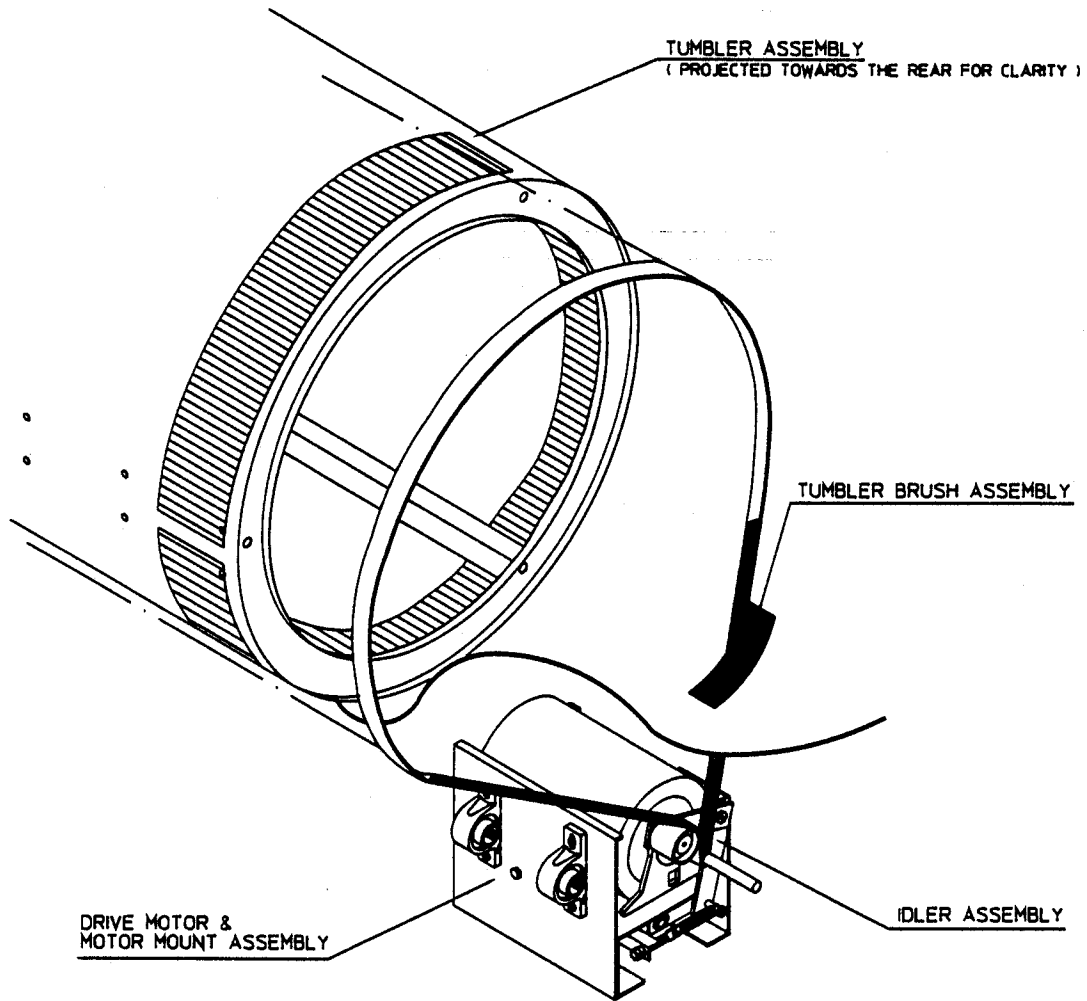
AD-630 Optional Gas Piping Kit

Illus. No.	Part No.	Qty.	Description
-	880128	1	AD-630 Gas Piping Kit (includes illus. # 1 - 8)
1	142821	1	3/4" x 36" Pipe
2	142505	1	3/4" x 1/2" x 1/2" Tee
3	142814	1	1/2" x 2 1/2" Nipple
4	142600	1	1/2" Union
5	142824	1	1/2" x 37 1/4" Pipe
6	142500	1	1/2" x 90° Elbow
7	142814	1	1/2" x 2 1/2" Nipple
8	142600	1	1/2" Union

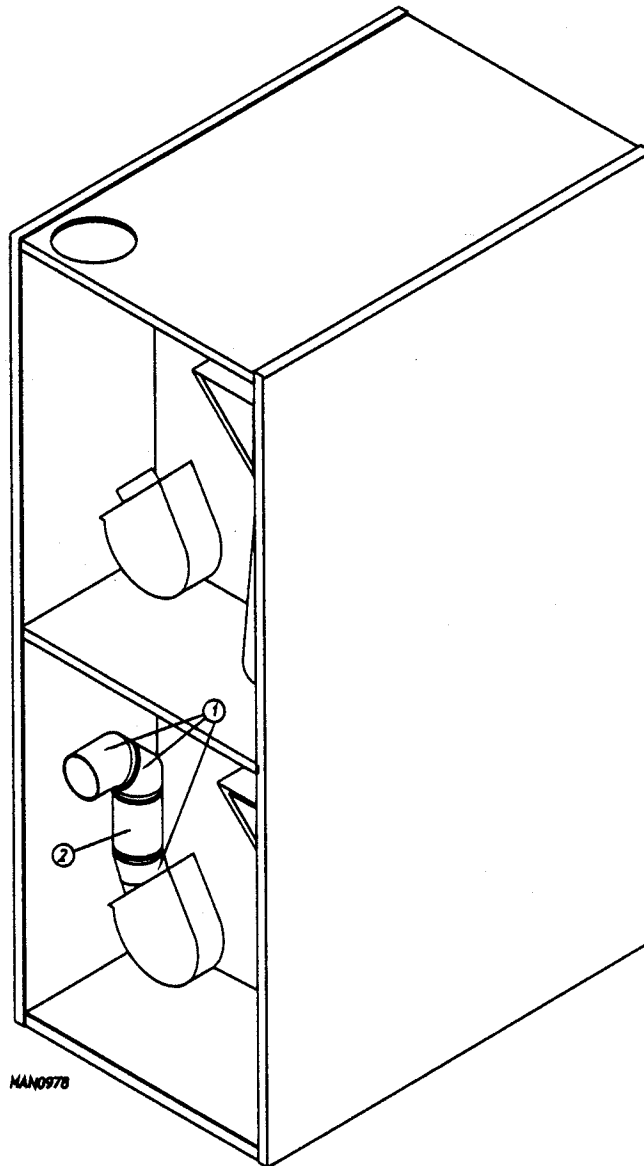
AD-630 Optional Exhaust Ducting Kit

-	880127	1	AD-630 Exhaust Ducting Kit (includes illus. # 9 - 12)
9	143535	1	8" x 6" x 6" Wye Branch Duct
10	143519	1	6" Round x 4' Long Flexible Exhaust Duct
11	143509	1	6" Round x 8' Long Flexible Exhaust Duct
12	143536	2	6" Round x 45° Elbow
--	150300*	12	# 10-32 x 1/2" Hex Washer TEK Screw
--	117505*	12	Aluminum Duct Tape (sold in feet)

* Included with Exhaust Ducting Kit (p/n: 880127)



MAN2071



NOTE: Duplicate all components for top tumbler

Illus. No.	Part No.	Qty.	Description
1	143536	3	6" Round x 45° Elbow
2	143545	1	6" Round x 6" Long Duct
-	117505*	5	Aluminum Duct Tape (sold in feet)

* Tape All Joints

Part No.	Description
112027	"Water Washed Fabrics" Label
112039	"Black/White/Green Ground" Label
112040	"Lint Compartment" Label
112041	"Caution-Exhausted" Label
112530	"Program Location Summary" Coin Label
120100	3/8" Straight (BX) Connector
120300	3/8" x 45° (BX) Connector
120400	3/8" Red Jacket (BX) Insulator
120500	3/8" Jiffy Clip (BX Retainer Clip)
120600	3/8" GreenField (BX)
120800	1/4" In-Line Connector
120802	Red Butt Connector
120903	# 74B Wire Nut
121014	Crimp-on Wire Nut
121499	4" Harness Tie
121500	7" Harness Tie
121503	Harness Tie Mounting Clip
122804	Water column test gauge

ADC 450143 1 - 09/26/94-100 2 - 02/24/98-25

